



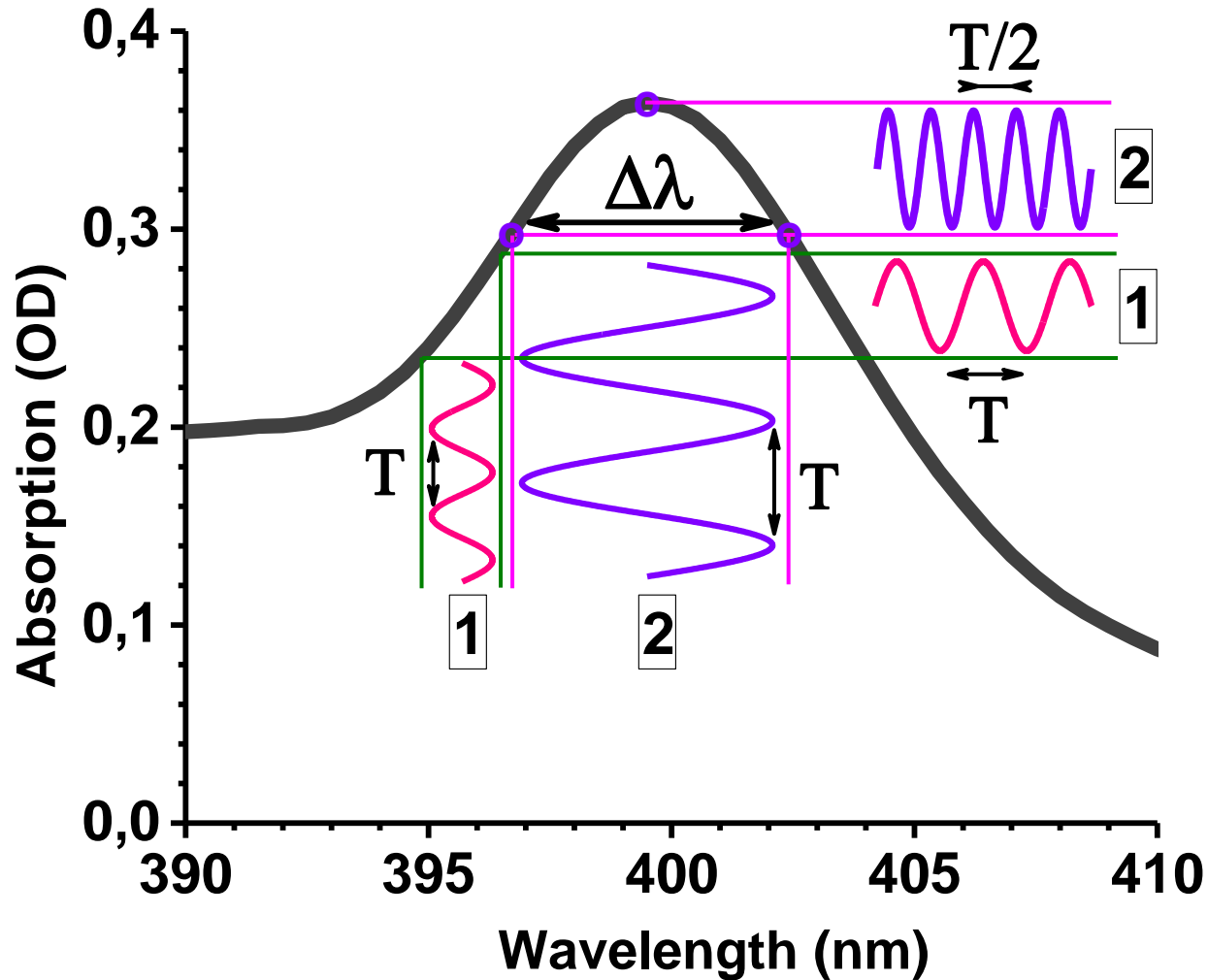
Selective detection of PAH in solution

Koit Muring
Dmitri Lanevski
(Institute of Physics,
University of Tartu)

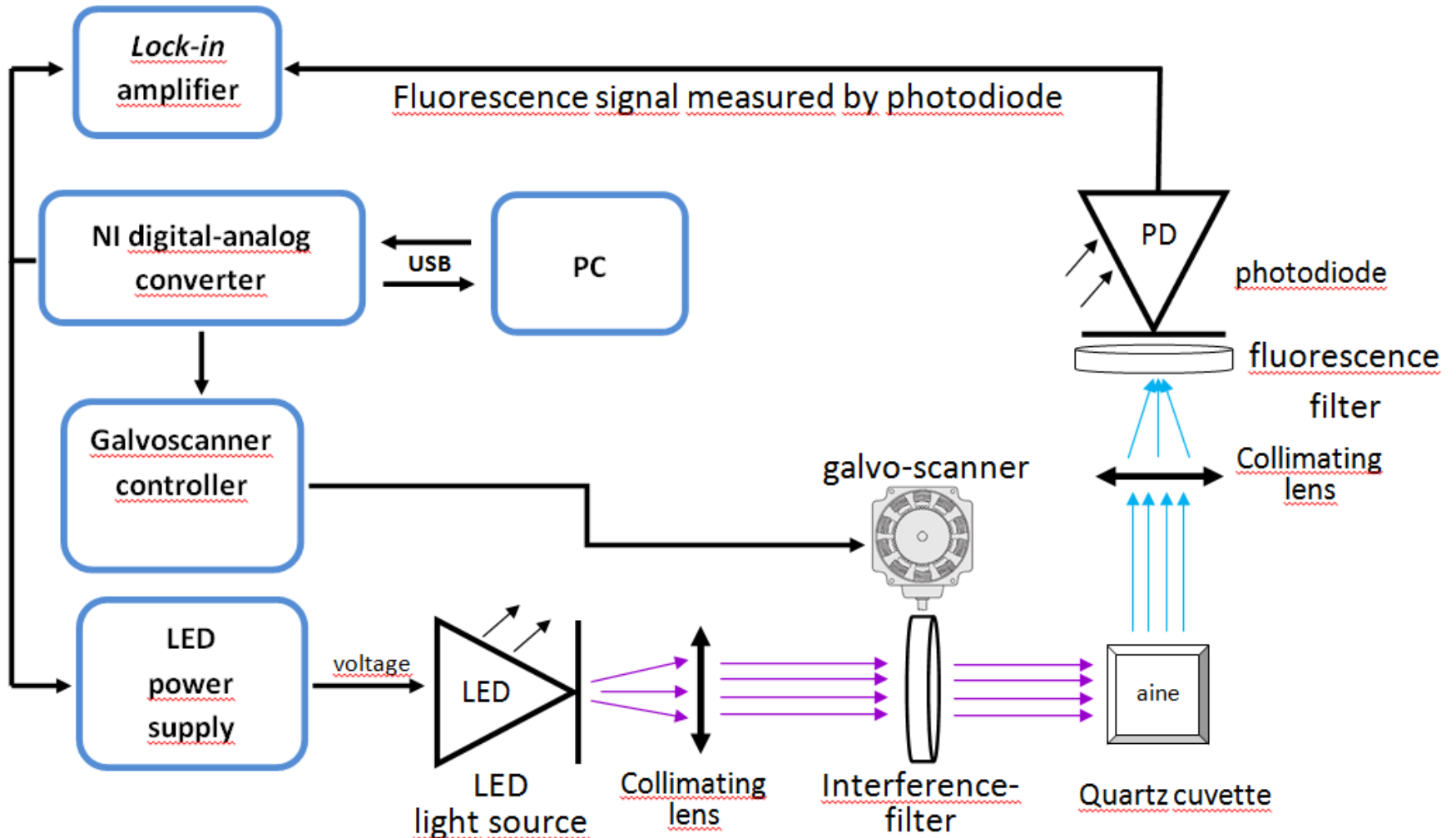
in cooperation with

Tõnu Hein
Kaido Väljaots
(HEIVAL CONSULTING)

Wavelength modulation principle

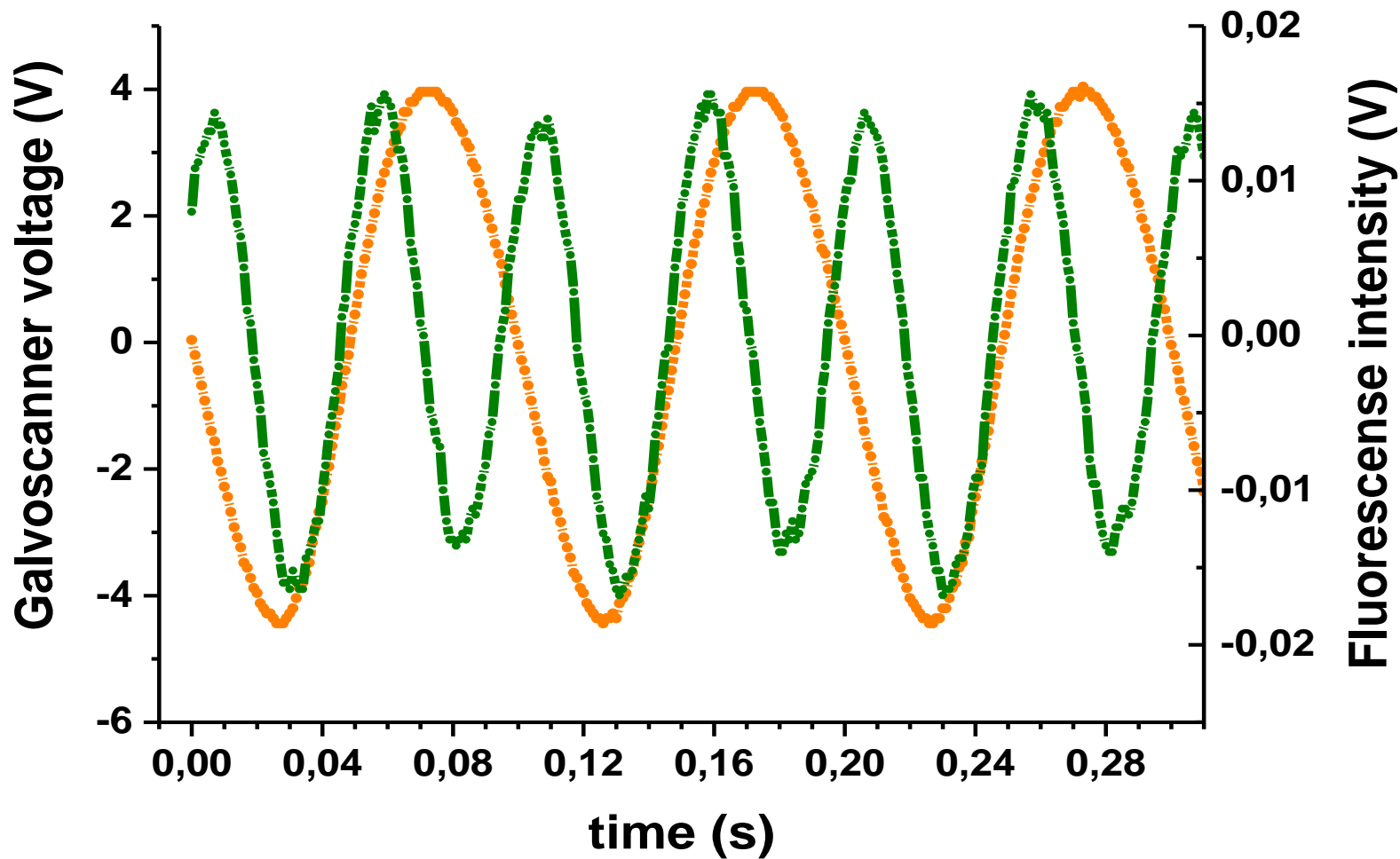


Experimental setup



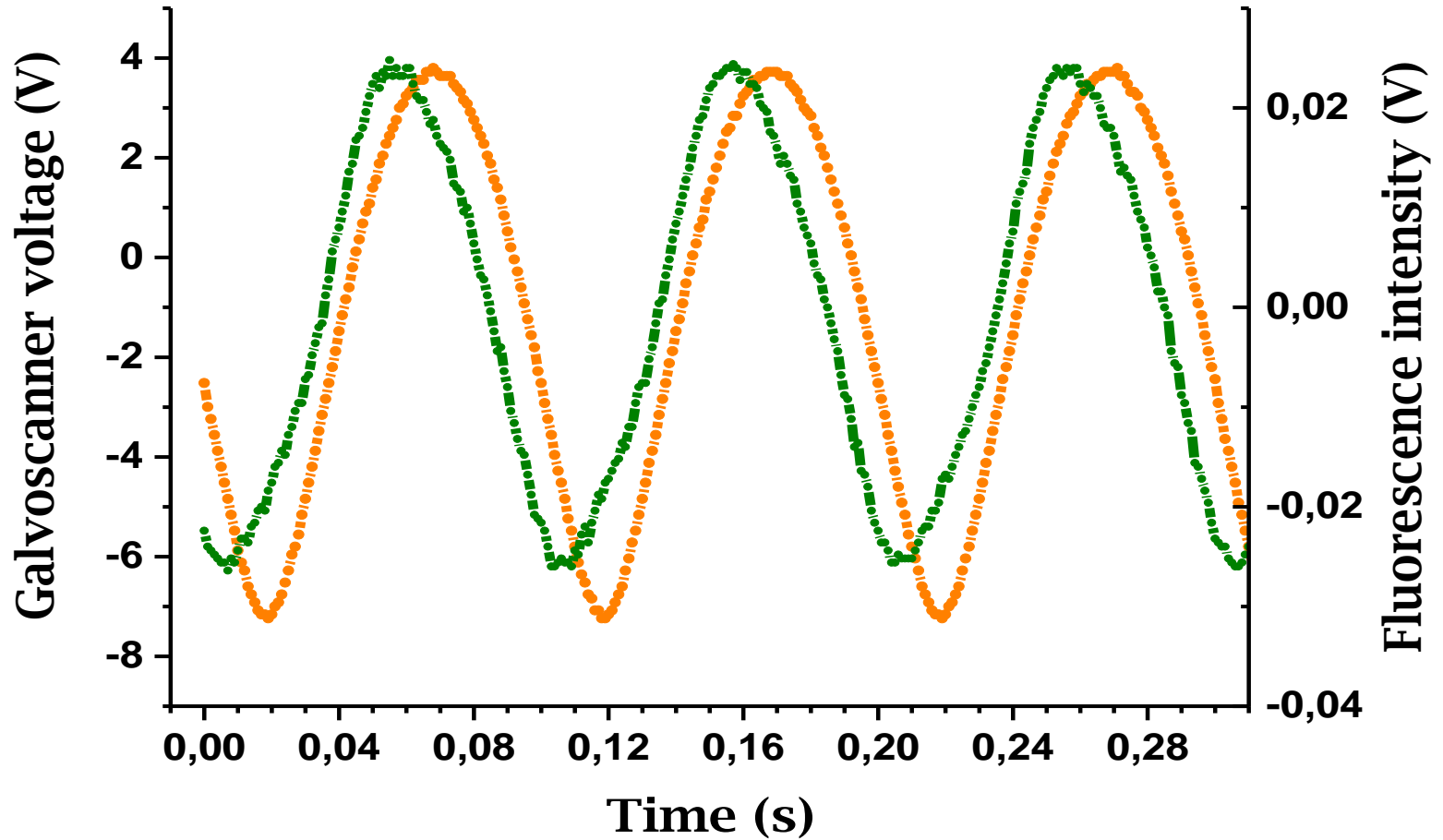


Experimental 2ω signal



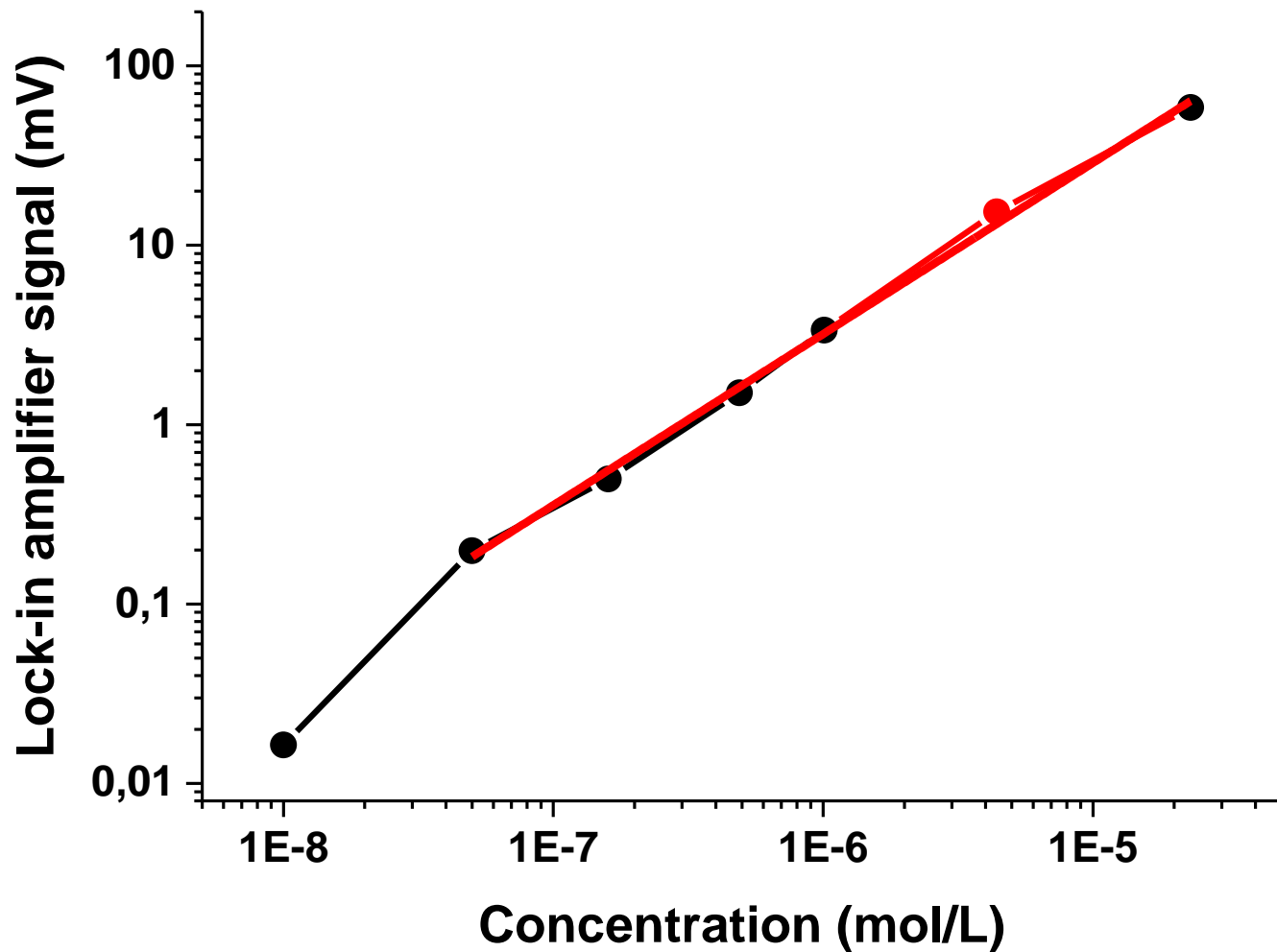


Experimental 1ω signal





PAH detection experiment



Thank you for the attention!